

# Industrial Galvanised Arm

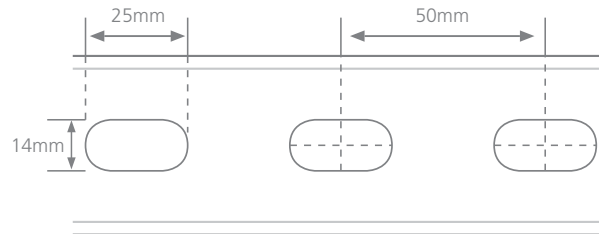
Part no: 450mm B6859 / 600mm B6860

**Dimensions:****450mm**

Dim. A: 450mm

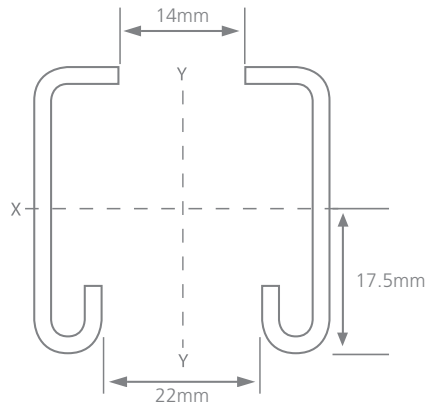
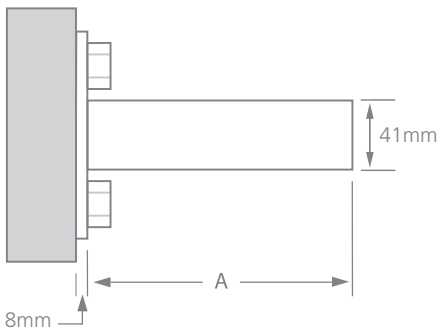
**600mm**

Dim. A: 600mm



**Hot dipped galvanised steel cantilever arms available in 2 lengths, 450mm & 600mm.**

Manufactured from 41mm x 41mm channel, with a base of 130mm x 45mm and 2 fixing holes, 14mm diameter at 100mm centres.

**Weight:**

450mm 1.79kg

600mm: 2.21kg

**Maximum load:****450mm**

Uniformly distributed load: 239kg

Point load: 119kg

**600mm**

Uniformly distributed load: 183kg

Point load: 92kg

**Material:**

BS EN 10025 FE 43A

**Finish:**Hot dipped spun galvanised  
to BS729

Apex Way Hailsham  
East Sussex BN27 3WA  
T: +44 (0)1323 848842  
F: +44 (0)1323 848846  
sales@bbjengineering.com  
[www.bbjengineering.com](http://www.bbjengineering.com)