



# channel clip

Unique ratchet design ensures quick installation with good hold both vertically and horizontally.



Channel



Rod



Surface

## KEY FEATURES

- Easy installation into 40mm x 40mm and 40mm x 20mm channel
- Unique lockable ratchet design
- Fits metric and imperial pipe sizing
- Quick to fit over insulated pipes
- Safety lock ensure that the correct pressure is applied to hold both pipe and insulation

## SPECIFICATIONS

Materials of construction	Nylon
Max. temp	+70°C
Max. rec. distance per clip	1.2m

Aluminium Channel lengths available:  
Part No. B6023 (3m), B6000 (1m)

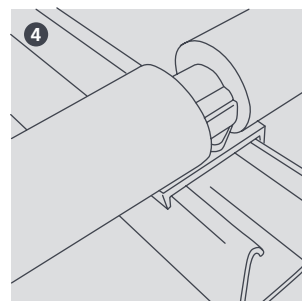
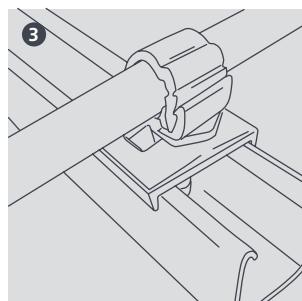
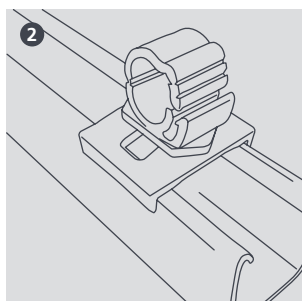
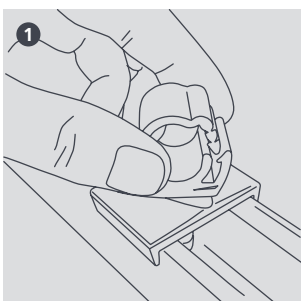


## SIZING OPTIONS

Size	Lagging				Part No.	Pack Qty
	6mm	9mm	13mm	19mm		
6mm (1/4")					B6842	10
10mm (3/8")					B6844	10
13mm (1/2")					B6843	10
16mm (5/8")					B6845	10
19mm (3/4")	1/4"				B6846	10
22mm (7/8")	3/8"				B6847	10
25mm (1")	1/2"	1/4"			B6848	10
28mm (1 1/8")	5/8"	3/8"			B6849	10
32mm (1 1/4")	3/4" 7/8"	1/2" 5/8"	1/4"		B6850	10
35mm (1 3/8")		3/4"	3/8" 1/2"		B6851	10
38mm (1 1/2")	1 1/8"	7/8"	5/8"		B6852	10
41mm (1 5/8")	1 3/8"	1 1/8"	3/4" 7/8"	1/4" 3/8"	B6853	10
50mm (2")				1/2"	B6854	10
55mm (2 1/8")	1 5/8"	1 3/8" 1 5/8"	1 1/8" 1 3/8"	5/8" 3/4" 7/8"	B6855	10



For further details please refer to our website [aspenpumps.com/xtra](http://aspenpumps.com/xtra)



Information correct at time of going to press.