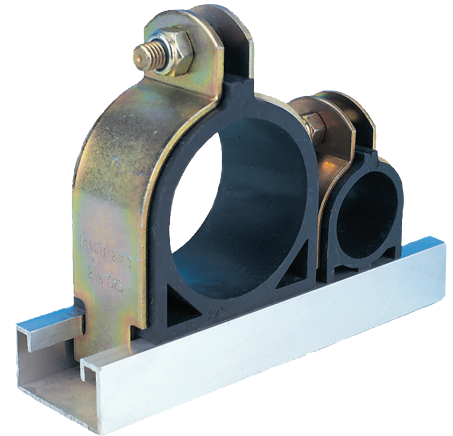




# insulclamp

Channel clip ideal for bigger commercial air conditioning and refrigeration installations.



Channel



Rod



Surface

## KEY FEATURES

- Easy installation into 40mm x 40mm and 40mm x 20mm channel
- Insulates against heat loss and reduces vibration
- Quick to install with lock nuts
- Fits into shallow void
- Supports individual pipes into a thermo-rubber cushion between two metal plates
- Thermo-rubber cushion insert withstands maximum temperature of 130°C (zinc bracket 1000°C)

## SPECIFICATIONS

Materials of construction	Zinc passivated steel with rubber cushion
Max. temp	130°C
Max. rec. distance per clip	1.2m

## OTHER PROPERTIES

Thermal conductivity	K = 0.27 W/m°C
----------------------	----------------

Compatible with Fix-it Foot from Big Foot Systems



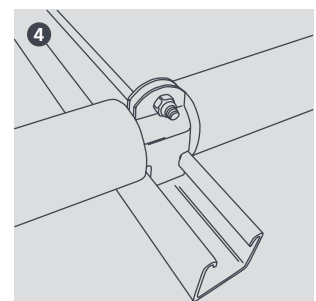
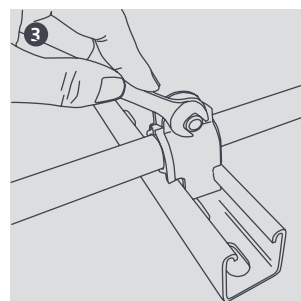
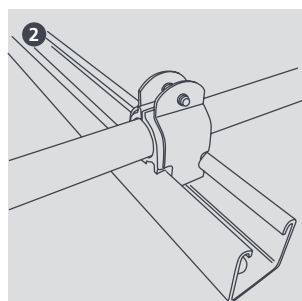
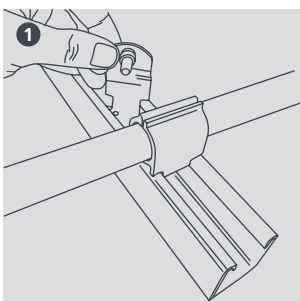
Aluminium Channel lengths available:  
Part No. B6023 (3m), B6000 (1m)



## SIZING OPTIONS

Size	Max. Unsupported Span (m)	Height Above Channel (mm)	Part No. (Plastic Bag)	Pack Qty (Plastic Bag)
1/4"	1.2	32	B6268	10
3/8"	1.2	35	B6274	10
1/2"	1.2	38	B6267	10
5/8"	1.2	41	B6276	10
3/4"	1.2	44	B6273	10
7/8"	1.2	47	B6277	10
1 1/8"	1.2	54	B6264	10
1 3/8"	1.2	60	B6265	10
1 5/8"	1.2	76	B6266	10
2 1/8"	1.2	92	B6269	5
2 5/8"	1.2	98	B6270	5
3 1/8"	1.2	117	B6271	5
3 5/8"	1.2	130	B6272	5
4 1/8"	1.2	143	B6275	5

For further details please refer to our website [aspenpumps.com/xtra](http://aspenpumps.com/xtra)



Information correct at time of going to press.