



PIPE SUPPORT



# Stud Clip

Unique ratchet design ensures quick installation and adjustment.



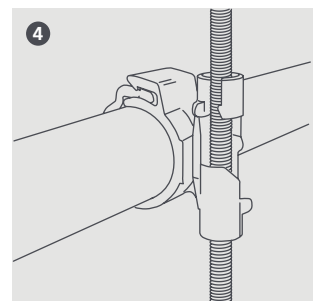
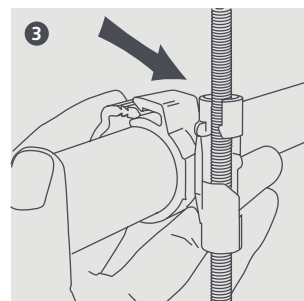
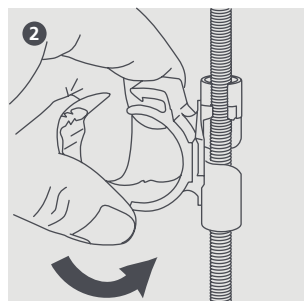
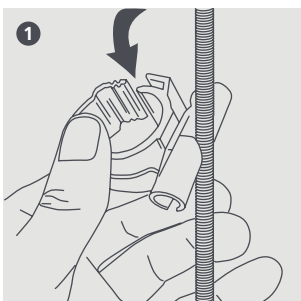
## KEY FEATURES

- Available for M8 and M10 studding
- Fast fixing direct to studding
- Simple to install, adjust and relocate
- Fits metric and imperial pipe sizes

## SPECIFICATIONS

Materials of construction	Nylon
Max. temp	70°C
Max. rec. distance per clip	1.2m

Size	SIZING OPTIONS				M8			M10		
	Lagging				Part No. (Xtra)	Part No. (TNC)	Pack Qty	Part No. (Xtra)	Part No. (TNC)	Pack Qty
	6mm	9mm	13mm	19mm						
1/4"					B6800/10	TNC/08SC/006-1	10	B6814/10	TNC/10SC/006-1	10
3/8"					B6802/10	TNC/08SC/006-2	10	B6816/10	TNC/10SC/006-2	10
1/2"					B6801/10	TNC/08SC/008	10	B6815/10	TNC/10SC/008	10
5/8"					B6803/10	TNC/08SC/010	10	B6817/10	TNC/10SC/010	10
3/4"	1/4"				B6804/10	TNC/08SC/020	10	B6818/10	TNC/10SC/020	10
7/8"	3/8"				B6805/10	TNC/08SC/030	10	B6819/10	TNC/10SC/030	10
1"	1/2"	1/4"			B6806/10	TNC/08SC/040	10	B6820/10	TNC/10SC/040	10
1 1/8"	5/8"	3/8"			B6807/10	TNC/08SC/050	10	B6821/10	TNC/10SC/050	10
1 1/4"	3/4" 7/8"	1/2" 5/8"			B6808/10	TNC/08SC/060	10	B6822/10	TNC/10SC/060	10
1 3/8"		3/4"	3/8" 1/2"		B6809/10	TNC/08SC/070	10	B6823/10	TNC/10SC/070	10
1 1/2"	1 1/8"	7/8"	5/8"		B6810/10	TNC/08SC/080	10	B6824/10	TNC/10SC/080	10
1 5/8"	1 3/8"	1 1/8"	3/4" 7/8"	1/4" 3/8"	B6811/10	TNC/08SC/090	10	B6825/10	TNC/10SC/090	10
2"				1/2"	B6812/10	TNC/08SC/100	10	B6826/10	TNC/10SC/100	10
2 1/8"	1 5/8"	1 3/8" 1 5/8"	1 1/8" 1 3/8"	5/8" 3/4" 7/8"	B6813/10	TNC/08SC/110	10	B6827/10	TNC/10SC/110	10
15mm					B6870/10	TNC/08SC/009	10	B6871/10	TNC/10SC/009	10



Information correct at time of going to press.

