



AIR CONDITIONING



REFRIGERATION



HEATING

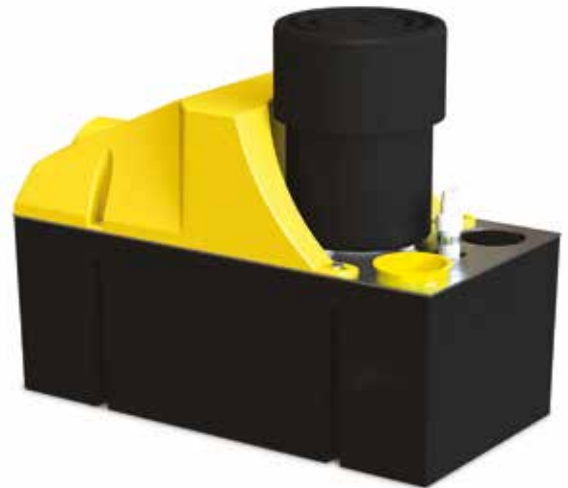


EN

Heavy Duty 6 & 10

CONDENSATE REMOVAL PUMP

With an impressive flow rate, these robust and reliable Heavy Duty pumps are perfect for the rapid removal of large quantities of condensate water.



HD6: 900L/h max. flow
HD10: 1070L/h max. flow



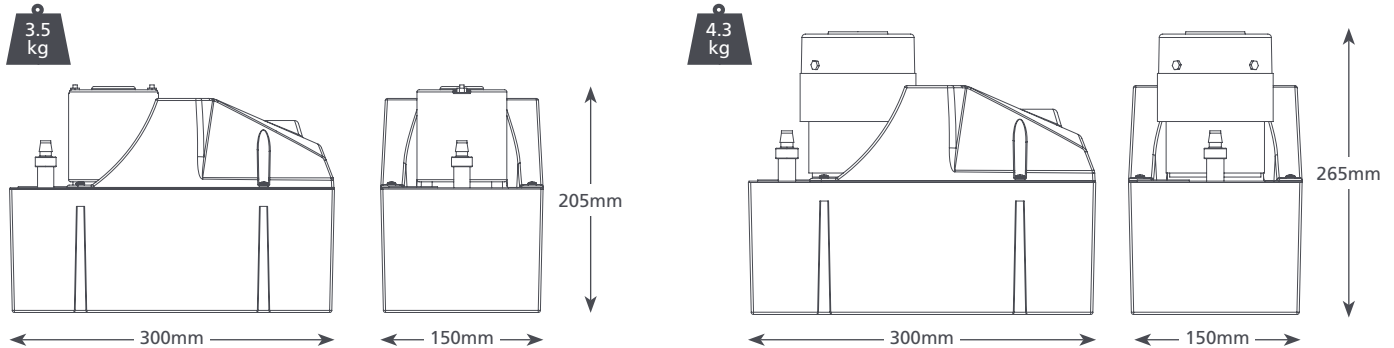
HD6: 6m max. rec. head (flow rate 180L/h)
HD10: 9m max. rec. head (flow rate 100L/h)

KEY FEATURES

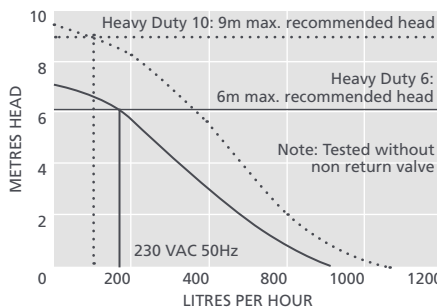
- High flow rate
- Non return valve
- Easy installation
- 4 litre tank capacity

SUITABILITY

- HD6: Up to 1200kW / 4m Btu/h
- HD10: Up to 1460kW / 4.9m Btu/h
- Dehumidifiers; Air handling units (AHUs)
- ✓ **Perfect for...** Large volumes of water



HEAVY DUTY 6 & 10 @ 230 VAC 50Hz	
Max. flow	HD6: 900L/h, HD10: 1070L/h
Max. rec. head	HD6: 6m, HD10: 9m
Tank capacity	4L
dB(A) @ 1m	HD6: 60, HD10: 64
Power supply	HD6: 230 VAC, 1.5A, 50Hz HD10: 230 VAC, 0.38A, 50Hz
Rated	HD6: Non continuous HD10: Continuous
Class	I appliance
Max. unit output	HD6: 1200kW / 4m Btu/h HD10: 1460kW / 4.9m Btu/h
Max. water temp	40°C / 104°F
Inlet/outlet	x2 40mm in, 10mm out
IP Protection	IP20
Safety switch	3.0A Normally closed



SUGGESTED XTRA ACCESSORIES	
Description	Part No.
Pipe to Pipe connector 21mm-40mm	FP2018
Tube To Soil Stack Adaptor	FP2038
Vinyl Tube Braided 3/8" (10mm)	AX5101

Xtra For more installation accessories take a look at our Aspen Xtra range

HEAVY DUTY 6 & 10 OPTIONS	
Heavy Duty 6	FP2074/2
Heavy Duty 10	FP2066/2

IN THE BOX	
Heavy Duty 6 or 10 pump • 2m power cable • Install manual	
Download manual at aspenspumps.com	

Information correct at time of going to press.



aspenspumps.com

+44 (0)1323 848842

sales@aspenspumps.com

reliable | silent | simple