



AIR CONDITIONING



REFRIGERATION



HEATING



Maxi Lime

CONDENSATE REMOVAL PUMP

Designed for larger units & humid environments, the 'all-in-one system' Maxi Lime elbow pump gives you supreme power when needed. ('Pump only pack' also available).



35L/h max. flow



15m max. rec. head (flow rate 10L/h)



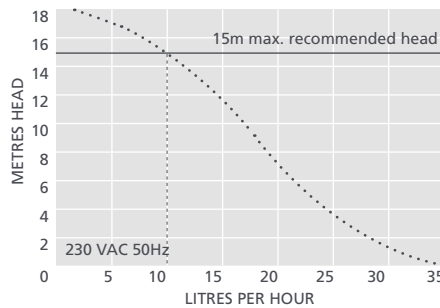
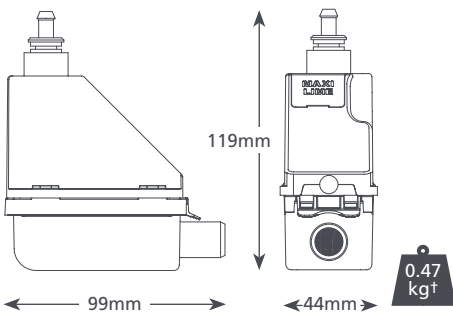
35dB(A) @ 1m

KEY FEATURES

- Sits in trunking elbow
- Left or right install
- Range of trunking systems
- Easy access for servicing

SUITABILITY

- Up to 46kW / 157,000Btu/h
- Large commercial AC units; High wall split systems
- ✓ **Perfect for...** Large commercial high wall split units



SUGGESTED XTRA ACCESSORIES

Description	Part No.
1 Amp Fuse	FP2620
Tube To Soil Stack Adaptor	FP2038
Vinyl Tube Braided 1/4" (6mm)	AX5100



For more installation accessories take a look at our Aspen Xtra range

MAXI LIME @ 230 VAC 50Hz

Max. flow	35L/h @ 0m head
Max. rec. head	15m
Max. suction lift	n/a
dB(A) @ 1m	35
Power supply	230 VAC, 0.1A, 16W, 50/60Hz
Rated Class	Non continuous II appliance <input type="checkbox"/>
Max. unit output	46kW / 157,000Btu/h
Max. water temp	40°C / 104°F
Discharge tube	6mm ID
IP Protection	IP24
Safety switch	3.0A Normally closed
Thermal protection	✓
Fully potted	✓
Self priming	✓

MAXI LIME SYSTEM OPTIONS

System	Colour	Part No.
BBJ (Airco)	Ivory	FP2213
Maxi Lime Replacement†		FP2215

† Pump only – no trunking included

IN THE BOX

Maxi Lime pump (inc. 750mm discharge tube with 6mm ID connector and 1.5m hard wired power cable) • 500mm Lime green inlet hose 14mm ID • 40mm Vinyl breather tube 6mm ID • Anti siphon device • Elbow front and back • 800mm conduit front and back • Gasket (BBJ and Inoac/Inaba systems only) • Ceiling plate • Drain connector kit • Fixing kit • Install manual

Download manual at aspenspumps.com

View install video at aspenspumps.com

Information correct at time of going to press.



aspenspumps.com

+44 (0)1323 848842

sales@aspenspumps.com

reliable | silent | simple