



# 3 Pipe Clip

The uniquely designed Xtra 3 Pipe Clip provides support for VRV/VRF systems pipework.



Channel



Rod



Surface

## KEY FEATURES

- Available for a wide range of pipe group sizes
- Locates to M8 and M10 studding
- Wide metal arms for greater pipe support
- No need for cable tray
- Hinge security cover plate fastens with one screw
- Can also be used for surface mount pipe support

## SPECIFICATIONS

Materials of construction	Powder coated mild steel
Max. temp	1000°C
Max. rec. distance per clip	1.2m

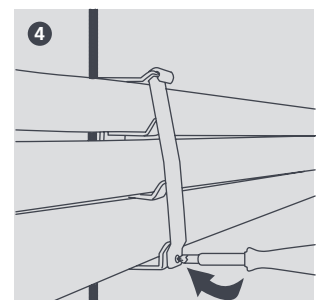
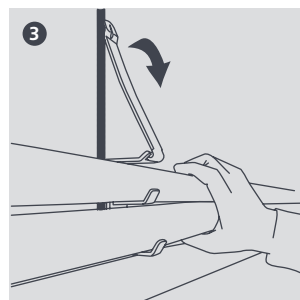
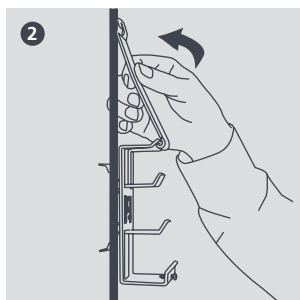
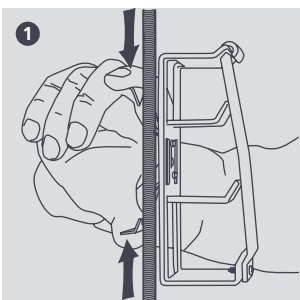
## SIZING OPTIONS

Description	Pipe groups from	Pipe groups to	Part No.	Pack Qty
1	3/8" 5/8" 3/4"	1/2" 3/4" 1"	B6361	5
2	1/2" 1 1/8" 3/4"	5/8" 1" 1 1/8"	B6362	5
3	5/8" 1 1/8" 1 1/8"	3/4" 1 3/8" 1 1/8"	B6363	5
4	7/8" 1 3/8" 1 1/8"	3/4" 1 5/8" 1 3/8"	B6364	5

Approximate pipe sizes (allowing for 13mm insulation)



For further details please refer to our website [aspenpumps.com](http://aspenpumps.com)



Information correct at time of going to press.