

EN

# Nail Clip



Using unique features, this horizontal support clip is ideal for single pipework installations.



Channel



Rod



Surface

## KEY FEATURES

- Ideal for refrigeration installations
- Fast fixing direct to any surface
- Unique lockable ratchet design
- Use a nail gun for rapid install
- Ideal for both single and multiple runs
- Fits metric and imperial pipe sizing

### SPECIFICATIONS

Materials of construction	Nylon
Max. temp	70°C
Max. rec. distance per clip	1.2m

### SIZING OPTIONS

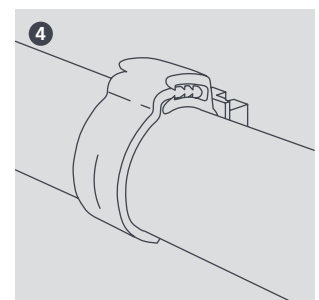
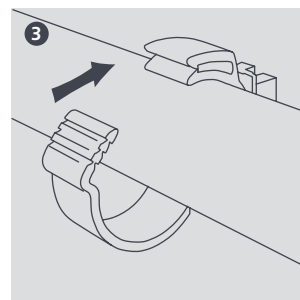
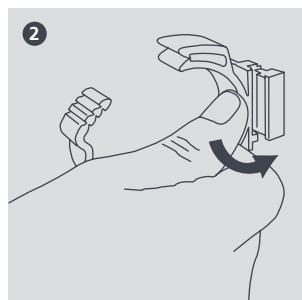
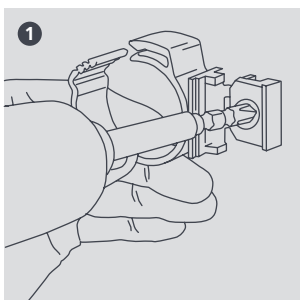
Size	Part No.	Pack Qty
25mm (1")	B7107	10
35mm (1 <sup>3</sup> / <sub>8</sub> "	B7110	10
38mm (1 <sup>1</sup> / <sub>2</sub> "	B7111	10
41mm (1 <sup>5</sup> / <sub>8</sub> "	B7112	10

For the complete list of sizes available visit [aspenpumps.com](http://aspenpumps.com)

Approximate pipe sizes (allowing for 13mm insulation)



For further details please refer to our website [aspenpumps.com](http://aspenpumps.com)



Information correct at time of going to press.