



AIR CONDITIONING



REFRIGERATION



HEATING



IN

# Mini Aqua<sup>®</sup>

CONDENSATE REMOVAL PUMP

The world's slimmest condensate drain pump is designed to fit where other's can't!



12L/h max. flow



10m max. rec. head (flow rate 6L/h)



21dB(A)

### KEY FEATURES

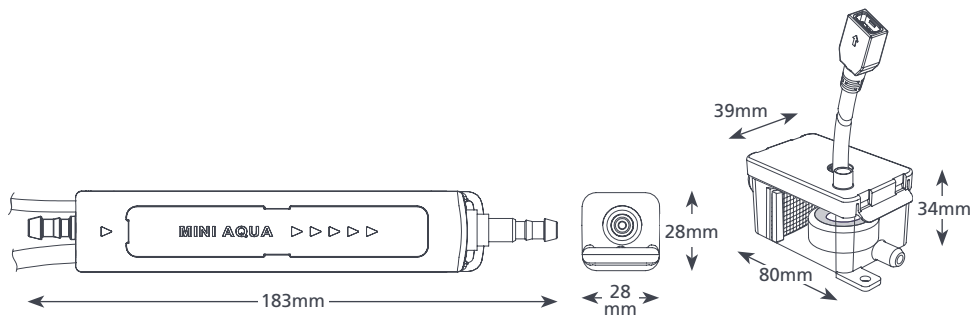
- Ultra slim
- High performance
- Plug & play
- Anti siphon device

### SUITABILITY

- Up to 16kW / 54,000Btu/h\*
- High wall mini split systems; Ducted units; Floor standing & Chassis units
- ✓ **Perfect for...** installing directly inside the unit



0.18 kg†



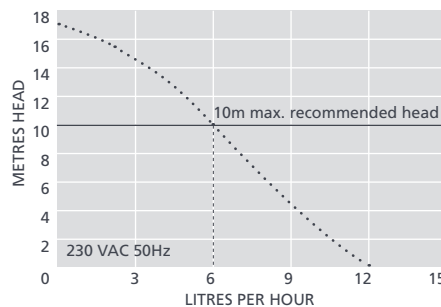
### MINI AQUA @ 230V 50Hz

Max. flow	12L/h @ 0 head
Max. rec. head	10m
Max. suction lift	2m
dB(A) @ 1m	21
Power supply	230 VAC, 0.1A, 16W, 50/60Hz
Rated Class	Non continuous II appliance <input type="checkbox"/>
Max. unit output	16kW / 54,000Btu/h*
Max. water temp	40°C / 104°F
Discharge tube	6mm ID
IP Protection	IP24
Safety switch	3.0A Normally closed
Thermal protection	✓
Fully potted	✓
Self priming	✓

### MINI AQUA OPTIONS

Mini Aqua FP2406/FIL/IND

† Pump only  
\* When high humidity, reduce duties by 20%



### IN THE BOX

- Mini Aqua pump
- 1.5m Plug & play power cable
- Reservoir (inc. filter, float, lid)
- 16mm Inline Filter
- 150mm Vinyl breather tube 6mm ID
- Anti siphon device
- 1.5m Suction breather tube 6mm ID
- 220mm Blue inlet hose 14mm ID
- Drain connector kit
- Fixing kit
- Install manual

! Important! Please install the included inline filter

Download manual at [aspenspumps.com](http://aspenspumps.com)

View install video at [aspenspumps.com](http://aspenspumps.com)

Information correct at time of going to press.



[aspenspumps.com](http://aspenspumps.com)

[sales.india@aspenspumps.com](mailto:sales.india@aspenspumps.com)

reliable | silent | simple 13