



AIR CONDITIONING



REFRIGERATION



HEATING

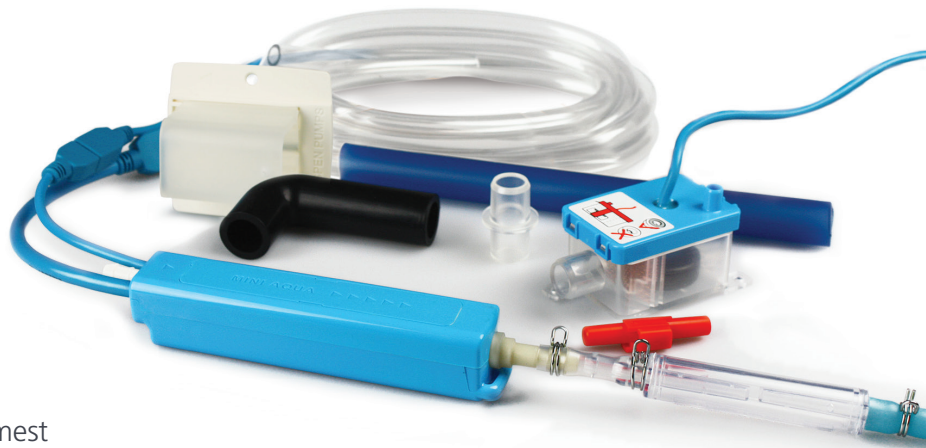


IN

Silent+ Mini Aqua®

CONDENSATE REMOVAL PUMP

Combining Silent+ technology and the slimmest mini pump on the market, the Silent+ Mini Aqua leads the way in innovation.



12L/h max. flow



10m max. rec. head
(flow rate 6L/h)



19dB(A) @ 1m

KEY FEATURES

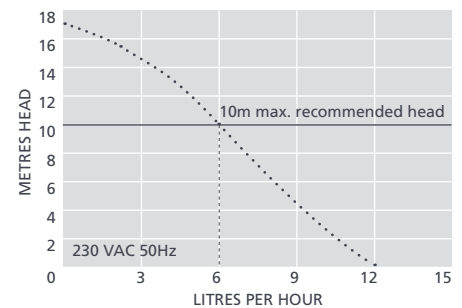
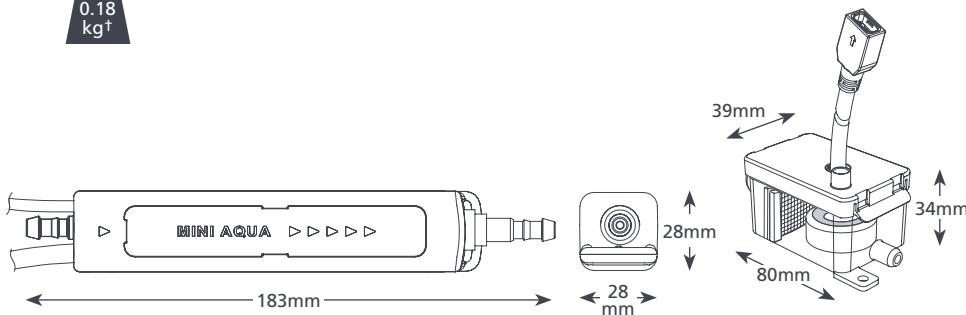
- Quietest in its class
- Acoustic damper
- Plug & play
- Anti siphon device

SUITABILITY

- Up to 16kW / 54,000Btu/h
 - Ducted units; Floor standing & Chassis units; High wall mini split systems
- ✓ **Perfect for...** Small & quiet – you'll never know it's there!



0.18 kg†



SILENT+ MINI AQUA @ 230 VAC 50Hz

Max. flow	12L/h @ 0m head
Max. rec. head	10m
Max. suction lift	2m
dB(A) @ 1m	19
Power supply	230 VAC, 0.1A, 16W, 50/60Hz
Rated Class	Non continuous II appliance <input type="checkbox"/>
Max. unit output	16kW / 54,000Btu/h
Max. water temp	40°C / 104°F
Discharge tube	6mm ID
IP Protection	IP24
Safety switch	3.0A Normally closed
Thermal protection	✓
Fully potted	✓
Self priming	✓

SILENT+ MINI AQUA OPTIONS

Silent+ Mini Aqua	FP3326/FIL
† Pump only	

IN THE BOX

- Silent+ Mini Aqua pump
- Reservoir (inc. filter, float, lid)
- 1.5m Plug & play power cable
- 16mm Inline Filter
- Acoustic damper and 1m aqua discharge tube with connector
- Anti vibration bracket
- 150mm Vinyl breather tube 6mm ID
- Anti siphon device
- 1.5m Suction tube 6mm ID
- 220mm Blue inlet hose 14mm ID
- Drain connector kit
- Fixing kit
- Install manual

- ! Important! Please install the included inline filter
- 📖 Download manual at aspenspumps.com
- ▶ View install video at aspenspumps.com

Information correct at time of going to press.

