



AIR CONDITIONING



REFRIGERATION



HEATING



ASPEN PUMPS INC



Mini Lime[®]

CONDENSATE REMOVAL PUMP

The patented Lime System is a unique one piece elbow pump, mounted within a dedicated trunking system. It's compact design allows easy install & maintenance. ('Pump only pack' also available).



UNIVOLT



3.2 US Gal/h / 12L/h max. flow



33ft / 10m max. rec. head (flow rate 1.6 US Gal/h / 6L/h)



27dB(A)

KEY FEATURES

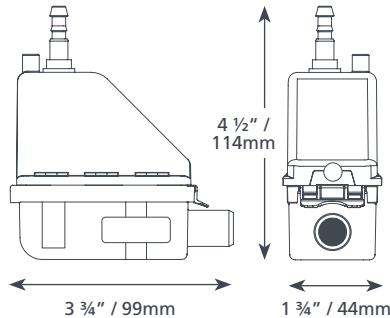
- Univolt
- Left or right install
- Trunking system options
- Easy access for servicing

SUITABILITY

- Up to 4.5ton / 54,000Btu/h
- Ductless mini split systems
- ✓ **Perfect for...** Commercial use eg. offices, restaurants



CSI compliant

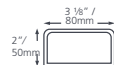


UNIVOLT

MINI LIME UNIVOLT @ 60Hz

| | |
|--------------------|---------------------------------------|
| Max. flow @ 0 head | 3.2 US Gal/h / 12L/h |
| Max. rec. head | 33ft / 10m |
| Max. suction lift | n/a |
| dB(A) @ 3ft / 1m | 27 |
| Power supply | 100-250 VAC, 0.16A, 16W, 50/60Hz |
| Rated | Non continuous |
| Class | II appliance <input type="checkbox"/> |
| Max. unit output | 4.5ton / 54,000Btu/h |
| Max. water temp | 104°F / 40°C |
| Discharge tube | 1/4" / 6mm ID |
| IP Protection | IP24 |
| Safety switch | 3.0A Normally closed |
| Thermal protection | ✓ |
| Fully potted | ✓ |
| Self priming | ✓ |

MINI LIME UNIVOLT WITH DUCT & FITTINGS

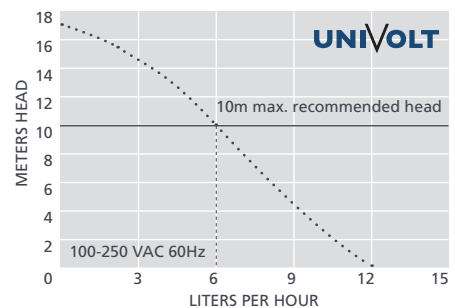
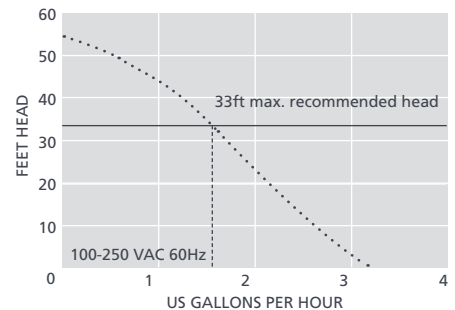
| System | Colour | Part No. |
|--|---------|-----------|
| Slimline 230 VAC  | ○ Ivory | FP3329/RS |
| Mini Lime Replacement Pack 230V | | FP3344/RS |

IN THE BOX

- Mini Lime Univolt pump (including 5ft / 1.5m hard wired power cable)
- Acoustic damper and 3ft / 1m lime discharge tube with connector
- 500mm Lime green inlet hose 9/16" / 14mm ID • 1 3/8" / 40mm Vinyl breather tube 1/4" / 6mm ID
- Elbow front and back • 31 1/2" / 800mm Conduit front and back
- Internal conduit sleeve • Ceiling plate
- Drain connector kit • Anti siphon device
- Inline fuse • Fixing kit • Install manual

Download manual at aspenspumps.com

View install video at aspenspumps.com



Information correct at time of going to press.