



PRODUCT SPECIFICATION

Manufacturer: Big Foot Systems

Product Name: Multi Foot



Product Summary

Multi-purpose support for pipework, ductwork and cable tray.

Product Description

The Big Foot Systems Multi Foot offers a flexible and adaptable multi-purpose solution for ancillaries support including duct, pipe and cable tray.

Versatile application which can take a full range of strut, channel or threaded rod. Rubber crumb foot mats to provide additional roof protection. An off the shelf boxed kit.

Perfect for supporting pipes, ducts and cable tray of any size and length.

Recommended spacing of 1m (39 3/8in) between feet.

Ideal for use in wind protected environments.

Strut, channel or threaded rod not included with Multi Foot.

Features/ benefits

- Non penetrative load management.
- Cost effective, pre-fabricated support system.
- Able to accommodate channel, strut and threaded rod.
- Rigid nylon foot with increased stability.
- Versatile application, boxed for convenience.

Standards

Constructed to:

- BS8000-4: Workmanship on building sites. Code of practice for waterproofing.
- BS6229: Code of practice for flat roofs with continuously supported coverings.
- Building Regulations (E & W) Part L: Conservation of Fuel and Power.
- BS EN 1850-1: Determination of visible defects.
- BS EN 1107-1: Flexible sheets for waterproofing. Determination of dimensional stability.

Material Specification:

- Plastic Foot: Nylon 6 B601L 30% glass fibre filled
- Salt mist testing: BS EN 60068-2-52.
- Test Kb severity 1.

Design Considerations

The Multi Foot is designed to accommodate industry standard 41x41mm strut (vertically); 41x21mm strut (horizontally); 40x20mm channel (horizontally); 10mm and 12mm threaded rod (vertically). Mechanical fix to Multi Foot by others.

Design Load:

Design loads are based upon load tests carried out on the Multi Foot, allowable load on vertical and cross members Unistrut should be checked with the supplier. Design loads recommended by Big Foot should not be exceeded.

Wind Loading:

Ballast maybe required for use in wind exposed environments, contact Big Foot Technical for wind loading design and analysis.

Roof Surface:

Suitable for any roof surface including but not limited to PVC membrane, mastic asphalt, insulation and concrete roof finishes.

Working Conditions:

Suitable for internal or external applications in temperatures between -40°C to +80°C.

Marine Environment:

Salt mist test conducted in accordance with ASTM B117-11 to simulate an accelerated environmental test. The results validates the 10 year product guarantee issued by Big Foot Systems.

Foot Pressure & UDL (Roof Load):

Allowable foot pressure and roof load will be subject to roof build-up, typically detailed by a structural engineer. Big Foot Systems work to a maximum foot pressure and UDL of 20kN/m² and 7.5kN/m² respectively.

Where to buy:

Available to buy off the shelf from any partner wholesalers across the country. The link below provides the location of every wholesalers in the UK.

www.bigfootsupport.com/distributors

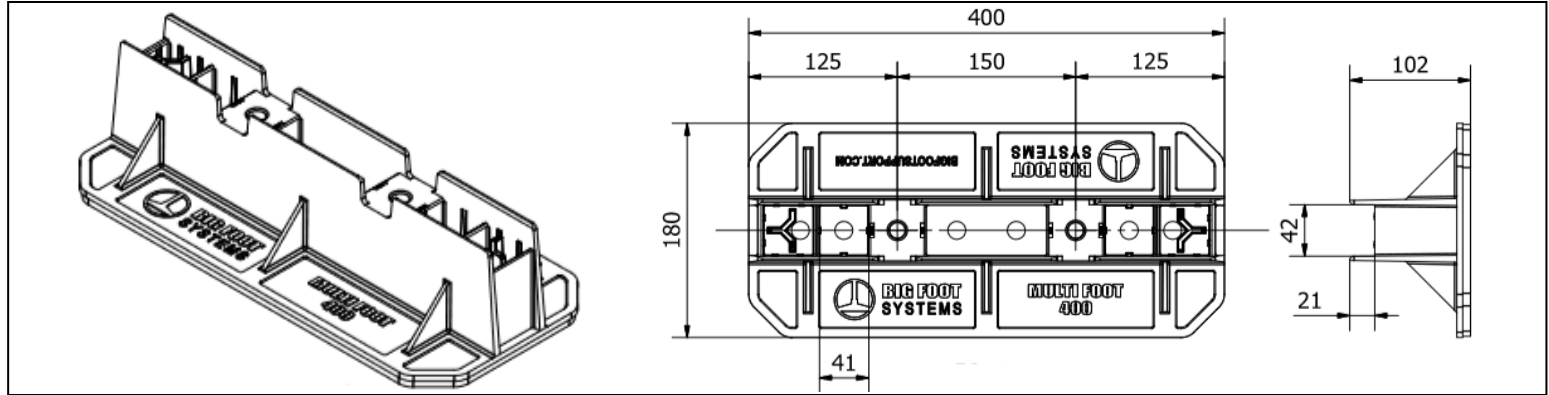
Options

Foot Fleeces:

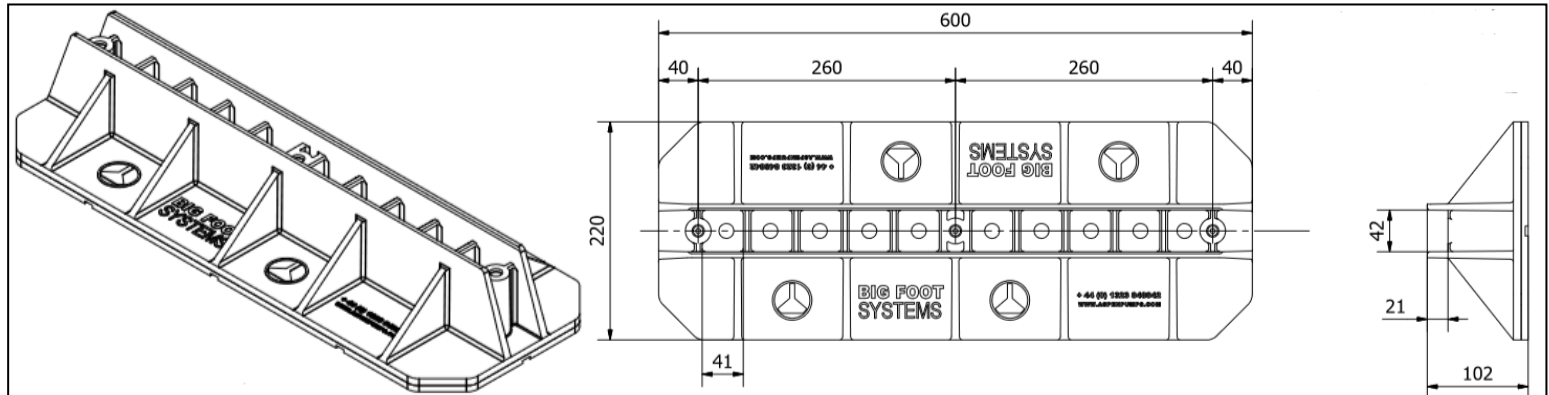
Recommended use between PVC and asphalt roof membrane surfaces and the foot to prevent migration of plasticizers.

- B9055—Foot Fleece 400mm (15 3/4in)
- B9056—Foot Fleece 600mm (23 5/8in)

B9640 - Multi Foot 400		
4 Feet Per Pack		
Length	mm	400
	Inches	15 3/4
Width	mm	180
	Inches	7 3/32
Height	mm	80
	Inches	3 5/32
Weight	kg	6.0
	lbs	13.2
Design Load	kg	259
	lbs	571

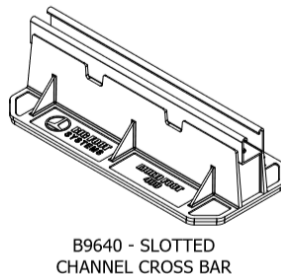
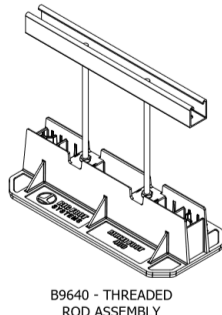
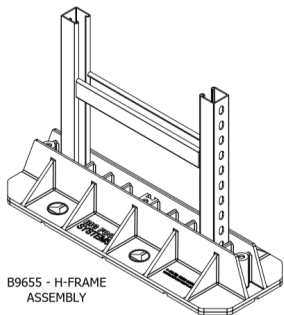


B9655 - Multi Foot 600		
3 Feet Per Pack		
Length	mm	600
	Inches	23 5/8
Width	mm	220
	Inches	8 21/32
Height	mm	80
	Inches	3 5/32
Weight	kg	11.7
	lbs	25.7
Design Load	kg	474
	lbs	1045



Multi Foot is able to accommodate:

- 41x41 Unistrut
- 41x21 Unistrut
- 40x20 Channel
- 10/12mm Threaded rod



Installation and application considerations should include health, safety and environmental needs, regulations and standards, codes of practice, climate conditions, installation location, product orientation, evaluation of the roof structure, composition, surface and condition, ancillary and complimentary products and materials. Big Foot Systems recommend that all rooftop products are handled and installed by suitably qualified persons. All scheme designs are based on the use of Big Foot Systems' products and materials only.
Terms and conditions available on request

TITLE:
Multi Foot Product
Specification Sheet

DWG No.
BFT-MFO.dwg

THIS DRAWING IS COPYRIGHT AND
THE PROPERTY OF BIG FOOT SYSTEMS LIMITED

