



PRODUCT SPECIFICATION

Manufacturer: Big Foot Systems

Product Name: HD Cubes



Metal Framework:

- Hot dip galvanized carbon steel: BS EN 10219-1. Welding standard: BS EN ISO 15614-1.
- Galvanizing: BS EN ISO 1461.
- Salt mist testing: BS EN 60068-2-52.

Product Summary

Chiller support; heavy duty support frame

Product Description

The HD cubes are designed to be positioned directly under a chiller's mounting points. With four feet in close proximity, the HD Cube offers excellent load distribution.

Features & Benefits

- Non penetrative load management.
- Cost effective, pre-fabricated support system.
- Versatile modular frameworks.
- Rubber crumb foot mat for roof finish protection
- Quick to install, robust and secure.

Product Reference

Three adjustable height options; available in three foot sizes:

- **B5611**—Standard 305mm (12 1/64 in). Adjustable 350-410mm (13 25/32—16 9/64)
- **B5612**—Long stud 305mm (12 1/64 in). Adjustable 350-610mm (13 25/32—24 1/64)
- **B5613**—Long box 305mm (12 1/64 in). Adjustable 800-860mm (31 1/2—33 55/64)
- **B5614**—Standard 450mm (17 23/32 in). Adjustable 350-410mm (13 25/32—16 9/64)
- **B5615**—Long stud 450mm (17 23/32 in). Adjustable 350-610mm (13 25/32—24 1/64)
- **B5616**—Long box 450mm (17 23/32 in). Adjustable 800-860mm (31 1/2—33 55/64)
- **B5617**—Standard 600mm (23 5/8 in). Adjustable 350-410mm (13 25/32—16 9/64)
- **B5618**—Long stud 600mm (23 5/8 in). Adjustable 350-610mm (13 25/32—24 1/64)
- **B5619**—Long box 600mm (23 5/8 in). Adjustable 800-860mm (31 1/2—33 55/64)

Ancillaries available to suit the HD Cubes:

- **B5104**—HD Mounting Plate
- **B9306**—HD Clamp

Standards

- BS8000-4: Workmanship on building sites. Code of practice for waterproofing.
- BS6229: Code of practice for flat roofs with continuously supported coverings.
- Building Regulations (E & W) Part L: Conservation of Fuel and Power.
- BS EN 1850-1: Determination of visible defects.
- BS EN 1107-1: Flexible sheets for waterproofing. Determination of dimensional stability.
- Plastic Foot: Nylon 6 B601L 30% glass fibre filled

Design Considerations

Foot Pressure & UDL (Roof Load):

Allowable foot pressure and roof load will be subject to roof build-up, typically detailed by a structural engineer. Big Foot Systems work to a maximum foot pressure and UDL of 20kN/m² and 7.5kN/m² respectively.

Design Load:

The design load is based on the maximum allowable deflection on HD cubes crossbars in addition to the allowable foot pressure stated above. The design load per HD cube variation corresponds to the foot size and built in safety factors.

HD cube 305mm (12 1/64inches) feet has a maximum design load of 1000kg (2205lbs), HD cube 450mm (17 23/32inches) is rated at 2000kg (4409kg) and HD cube 600mm (23 5/8 inches) is rated at 3000kg (6614lbs).

Wind Loading:

Design dependent, suitable for wind exposed environments; up to wind speeds of 100mph.

Roof Surface:

Suitable for any roof surface including but not limited to PVC membrane, mastic asphalt, insulation and concrete roof finishes.

Working Conditions:

Suitable for internal or external applications in temperatures between -40°C to +80°C.

Marine Environment:

Salt mist test conducted in accordance with ASTM B117-11 to simulate an accelerated environmental test. The results validate the 10 year product guarantee issued by Big Foot Systems.

Where to buy:

Available to buy off the shelf from any partner wholesalers across the country. The link below provides the location of every wholesalers in the UK. www.bigfootsupport.com/distributors

Options

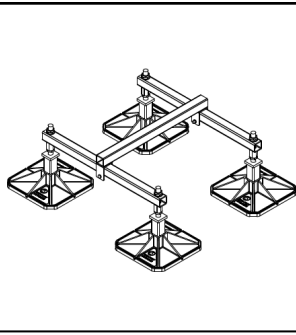
Foot Fleeces:

Recommended for use on PVC membrane and asphalt roof surfaces to prevent migration of plasticizers. B9156—305mm (12 1/64inches); B9157—450mm (17 23/32inches); B9415—600mm (23 5/8 inches).

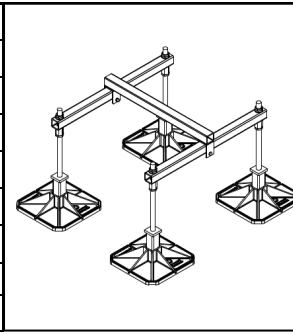
Angled Mats:

2.5 and 5 degrees angled mats available for 305mm and 450mm feet only, for use on roof fall up to 6 degrees. B9091—2.5° 305; B9092—5.0° 305; B9093—2.5° 450; B9094—5.0° 450 feet.

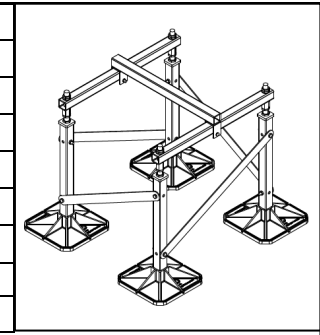
B5611 - HD Cube 360/305		
Length	mm	1066
	Inches	41 31/32
Width	mm	979
	Inches	38 35/64
Height	mm	350 - 410
	Inches	13 25/32 - 16 9/64
Frame	kg	39
Weight	lbs	86



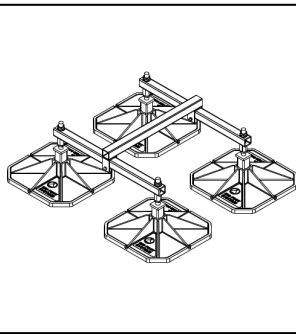
B5612 - HD Cube 560/305		
Length	mm	1066
	Inches	41 31/32
Width	mm	979
	Inches	38 35/64
Height	mm	350 - 610
	Inches	13 25/32 - 24 1/64
Frame	kg	42
Weight	lbs	93



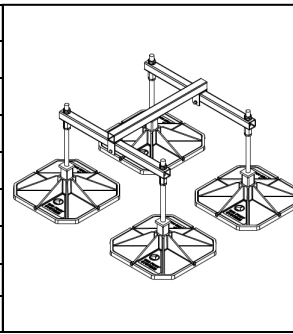
B5613 - HD Cube 800/305		
Length	mm	1066
	Inches	41 31/32
Width	mm	979
	Inches	38 35/64
Height	mm	800 - 860
	Inches	31 1/2 - 33 55/64
Frame	kg	48
Weight	lbs	106



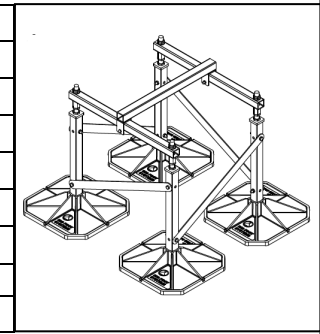
B5614 - HD Cube 360/450		
Length	mm	1222
	Inches	48 7/64
Width	mm	1135
	Inches	44 11/16
Height	mm	350 - 410
	Inches	13 25/32 - 16 9/64
Frame	kg	52
Weight	lbs	115



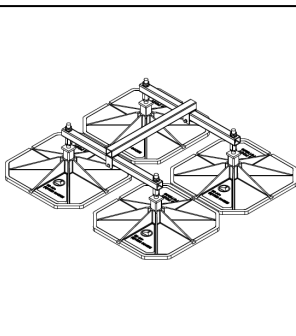
B5615 - HD Cube 560/450		
Length	mm	1222
	Inches	48 7/64
Width	mm	1135
	Inches	44 11/16
Height	mm	350 - 610
	Inches	13 25/32 - 24 1/64
Frame	kg	56
Weight	lbs	123



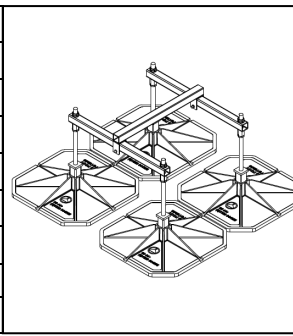
B5616 - HD Cube 800/450		
Length	mm	1222
	Inches	48 7/64
Width	mm	1135
	Inches	44 11/16
Height	mm	800 - 860
	Inches	31 1/2 - 33 55/64
Frame	kg	64
Weight	lbs	141



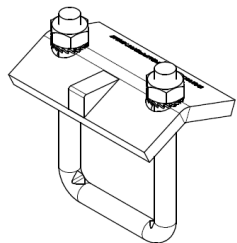
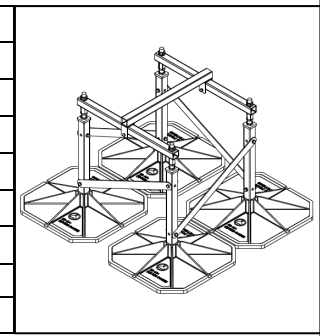
B5617 - HD Cube 360/600		
Length	mm	1378
	Inches	54 1/4
Width	mm	1291
	Inches	50 53/64
Height	mm	350 - 410
	Inches	13 25/32 - 16 9/64
Frame	kg	74
Weight	lbs	163



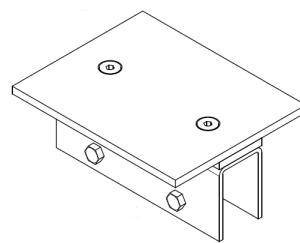
B5618 - HD Cube 560/600		
Length	mm	1378
	Inches	54 1/4
Width	mm	1291
	Inches	50 53/64
Height	mm	350 - 610
	Inches	13 25/32 - 24 1/64
Frame	kg	76
Weight	lbs	168



B5619 - HD Cube 800/600		
Length	mm	1378
	Inches	54 1/4
Width	mm	1291
	Inches	50 53/64
Height	mm	800 - 860
	Inches	31 1/2 - 33 55/64
Frame	kg	83
Weight	lbs	183



B9306—HD Clamp;



B5104—HD mounting plate;

Ancillaries available as a add-on if required

Installation and application considerations should include health, safety and environmental needs, regulations and standards, codes of practice, climate conditions, installation location, product orientation, evaluation of the roof structure, composition, surface and condition, ancillary and complimentary products and materials. Big Foot Systems recommend that all rooftop products are handled and installed by suitably qualified persons. All scheme designs are based on the use of Big Foot Systems' products and materials only.
Terms and conditions available on request

TITLE:
HD Cube Product
Specification Sheet

DWG No.
BFT-HDC.dwg

THIS DRAWING IS COPYRIGHT AND
THE PROPERTY OF BIG FOOT SYSTEMS LIMITED

