



## PRODUCT SPECIFICATION

**Manufacturer:** Big Foot Systems

**Product Name:** Multi Frame



### Product Summary

Mini Split, VRF and VRV condenser support; light duty frame

### Product Description

Big Foot Systems multi frame offers a unique, fully versatile frame range with the ability to extend from any side, giving the user flexibility to create a frame configuration to suit any unorthodox installation requirements.

This lightweight frame is designed to suit a wide arrangement of units, simple to assemble with moveable drop on cross bars and developed to resist tipping and sliding up to a wind loading of 100mph. A boxed kit comes complete with adjustable leg assemblies and supplied with clamp kits.

### Features/ benefits

- Non penetrative load management.
- Cost effective, pre-fabricated support system.
- Versatile modular frameworks.
- Quick to install, robust and secure.

### Standards

#### Constructed To:

- BS8000-4: Workmanship on building sites. Code of practice for waterproofing.
- BS6229: Code of practice for flat roofs with continuously supported coverings.
- Building Regulations (E & W) Part L: Conservation of Fuel and Power.
- BS EN 1850-1: Determination of visible defects.
- BS EN 1107-1: Flexible sheets for waterproofing. Determination of dimensional stability.

#### Metal Framework:

- Hot dip galvanized carbon steel: BS EN 10219-1. Welding standard: BS EN ISO 15614-1.
- Galvanizing: BS EN ISO 1461.
- Salt mist testing: BS EN 60068-2-52.
- Test Kb severity 1.

#### Plastic Foot:

- Nylon 6 B601L 30% glass fibre filled.

### Product Reference

For individual support; there are two available height options and extension kit at both heights.

- Multi Frame: B9720—Adjustable height 335 - 440mm (13 3/16 - 17 21/64 Inches)
- Multi Frame Extension Kit: B9721—Adjustable height as per above
- Multi Frame LS: B9720/1—Adjustable height 335 - 660mm (13 3/16 - 25 63/64 Inches)
- Multi Frame LS Extension Kit: B9721/1—Adjustable height as per above

### Design Considerations

#### Design Load:

Design load of 500kg (1102lbs) based on maximum allowable deflection on cross members.

#### Foot Pressure & UDL (Roof Load):

Allowable foot pressure and roof load will be subject to roof build-up, typically detailed by a structural engineer. Big Foot Systems work to a maximum foot pressure and UDL of 20kN/m<sup>2</sup> and 7.5kN/m<sup>2</sup> respectively.

#### Linear Adjustment:

Cross bar spacing is adjustable to accommodate various unit sizes.

#### Wind Loading:

Suitable for wind exposed environments, up to wind speeds of 100mph.

#### Roof Surface:

Suitable for any roof surface including but not limited to PVC membrane, mastic asphalt, insulation and concrete roof finishes.

#### Working Conditions:

Suitable for internal or external applications in temperatures between -40°C to +80°C.

#### Marine Environment:

Salt mist test conducted in accordance with ASTM B117-11 to simulate an accelerated environmental test. The results validate the 10 year product guarantee issued by Big Foot Systems.

### Options

#### Foot Fleece:

B9156—305mm (12 1/64inches)

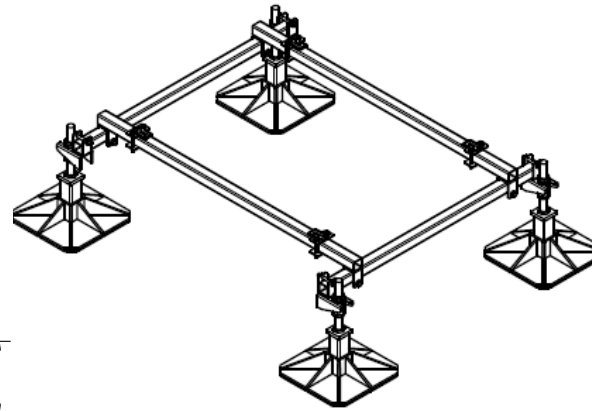
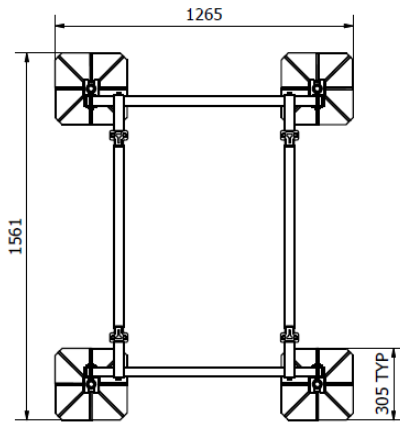
Recommended for use on PVC membrane and asphalt roof surfaces to prevent migration of plasticizers.

#### Angled Mats:

B9091 (2.5°) & B9092 (5.0°)

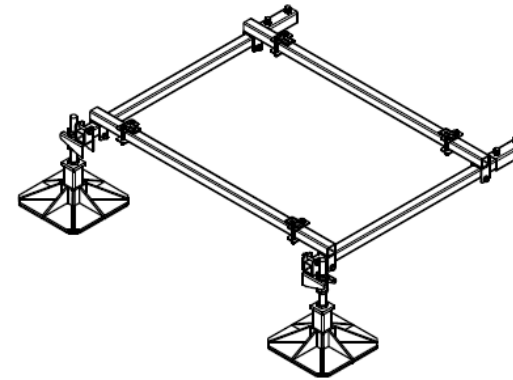
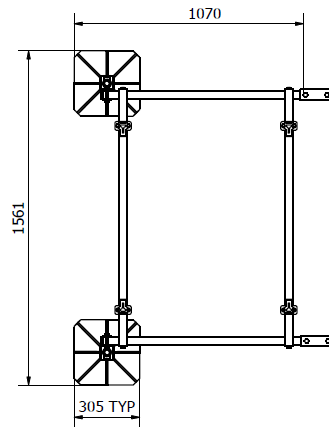
2.5 and 5 degrees angled mats available, recommended use for up to 6 degrees roof fall.

<b>B9720—Multi Frame</b>			
Length	mm	1265	
	Inches	49 51/64	
Width	mm	1562	
	Inches	61 1/2	
Height	Min	mm	335
		Inches	13 3/16
	Max	mm	440
		Inches	17 21/64
Frame Weight	kg	36	
	lbs	79	

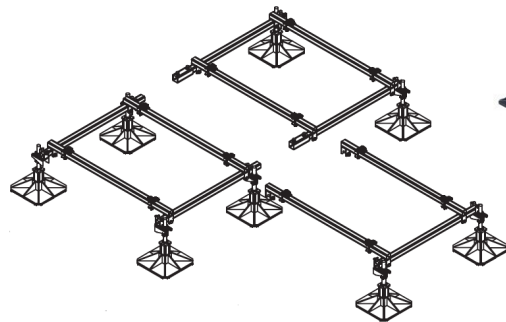
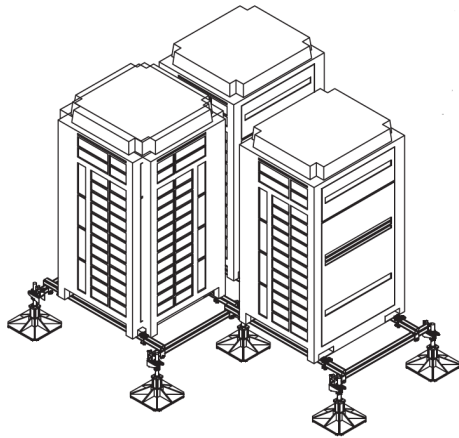


<b>B9720/1—Multi Frame Long Stud</b>			
Length	mm	1265	
	Inches	49 51/64	
Width	mm	1562	
	Inches	61 1/2	
Height	Min	mm	335
		Inches	13 3/16
	Max	mm	660
		Inches	25 63/64
Frame Weight	kg	38	
	lbs	84	

<b>B9721—Extension Kit</b>			
Length	mm	1000	
	Inches	39 3/8	
Width	mm	1562	
	Inches	61 1/2	
Height	Min	mm	335
		Inches	13 3/16
	Max	mm	440
		Inches	17 21/64
Frame Weight	kg	26	
	lbs	57	



<b>B9721/1—Extension Kit</b>			
Length	mm	1000	
	Inches	39 3/8	
Width	mm	1562	
	Inches	61 1/2	
Height	Min	mm	335
		Inches	13 3/16
	Max	mm	660
		Inches	25 63/64
Frame Weight	kg	28	
	lbs	62	



Installation and application considerations should include health, safety and environmental needs, regulations and standards, codes of practice, climate conditions, installation location, product orientation, evaluation of the roof structure, composition, surface and condition, ancillary and complimentary products and materials. Big Foot Systems recommend that all rooftop products are handled and installed by suitably qualified persons. All scheme designs are based on the use of Big Foot Systems' products and materials only.  
Terms and conditions available on request

TITLE:  
**Multi Frame Product Specification Sheet**

DWG No.  
**BFT-MFR.dwg**

THIS DRAWING IS COPYRIGHT AND  
THE PROPERTY OF BIG FOOT SYSTEMS LIMITED

